

JET

不锈钢自吸离心泵

Stainless steel self-priming centrifugal pump

CNP 南方泵业
CHINA NANFANG PUMP

应用范围

适用于输送清洁、不含固体物质或摩擦性物质、不粘稠、无腐蚀性、不结晶、化学中性，性能接近于水的液体。例如：

- 蓄水池蓄水
- 家庭供水系统
- 输水系统
- 增压系统

Scope of application

Applied to pumping such liquid which is clean, no solid matter or frictional matter, low viscous, noncorrosive, non-crystallizable, chemically neutral and close to water. Such as:

- Tank filling
- Domestic water supply
- Water transfer
- Pressure boosting

特点

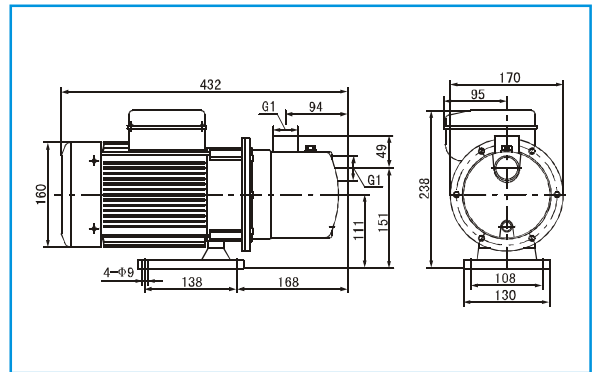
- 自吸式射流离心泵，出水压高，自吸性能好；
- 泵体及叶轮等采用不锈钢材料，射流器采用高强度耐磨塑料制造，抽吸不同的水质具有较长的使用寿命；
- 采用风冷式防尘电机，内置过热过载保护装置，操作安全可靠；
- 自带螺纹接头，快捷简易安装；
- 结构紧凑，活动部件少，坚固耐用且易于维护及维修。

Features

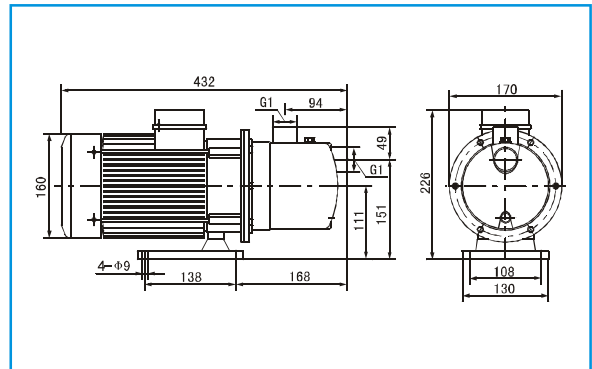
- Self-priming jet assisted centrifugal pump provides higher pressure and good suction ability.
- Pump body and impeller and so on made of stainless steel, ejector made of plastics with high intensity and abrasion proof.
- TEFC motor corrosion resistant and excludes dust and dirt. Protected against both high operating temperature and high current by a built-in automatically resetting thermal overload.
- Used screwed suction and discharge, quick and easy installation.
- Low maintenance, easy to service if required.



外形及安装尺寸(配单相电机)
Outline and installation dimension (equipped with single-phase motor)



外形及安装尺寸(配三相电机)
Outline and installation dimension (equipped with three-phase motor)



H A N G Z H O U N A N F A N G S P E C I A I P U M P

公司地址：浙江杭州余杭区仁和镇

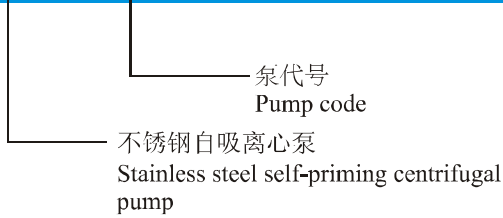
Add: Renhe Town, Yuhang District, Hangzhou, Zhejiang

技术服务电话 (Tel): 0571-86301517 售后服务电话 (Tel): 0571-86308303 86396576

型号含义

Definition of model

JET - 45

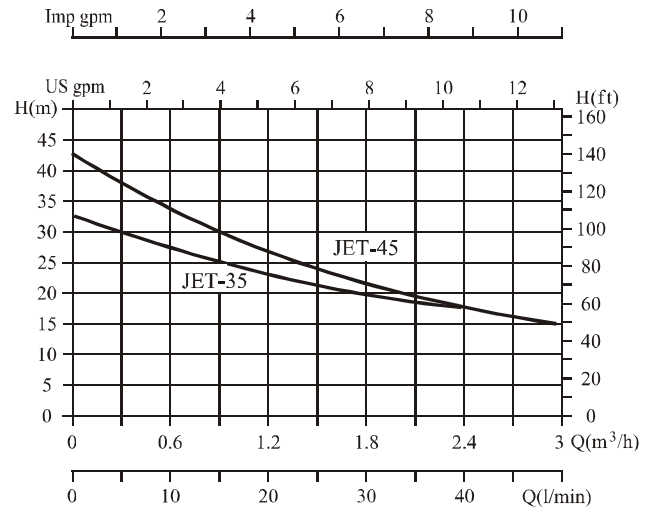


性能曲线 (50Hz/60Hz)

Performance curve

技术参数表/ Technical data

	JET-45	JET-35
最大吸程 Max. suction head	7 m	
最高液体温度 Max. liquid temperature	+45°C	
最高环境温度 Max. ambient temperature	+40°C	
泵壳最大承压 Max. pump casing pressure	0.6 MPa	
吸入口连接尺寸 Inlet size	G1	
排出口连接尺寸 Outlet size	G1	



材料表/ Material table

零件 Parts	泵体 Casing	叶轮 Impeller	泵轴 Shaft	动环 Rotating	静环 Stationary	射流器 Venturi	O形圈 O-Ring	电机壳 Motor house
材料 Materials	304不锈钢 304 SS	304不锈钢 304 SS	304不锈钢 304 SS	陶瓷 Ceramic	石墨 Carbon	聚丙烯+玻璃 纤维PP+GF	丁腈橡胶 NBR	铝合金 Aluminum alloy

电气参数表/ Electrical data table

泵型号 Model	功率 Power	频率 Frequency	电压Voltage/电流Current			额定转速 Speed	防护等级 Protection class
			单相/Single-phase	三相/Threc-phase			
JET-45	0.55kW	50Hz	220V/3.65A	220V/2.22A	380V/1.28A	2900r/min	IP55
JET-35		60Hz	220V/3.86A	220V/2.22A	380V/1.28A	3450r/min	

性能表/ Performance table (50Hz/60Hz)

泵型号 Model	配用电机(kW) Driving motor	Q(m³/h)	0	0.6	1.2	1.5	1.8	2.4	3.0
JET-45	0.55	H(m)	43	34	27	24	22	18	15
JET-35	0.55		33	28	23	21	20	18	