



# QY(B) 50Hz

Stainless steel self-suction gas-liquid mixing pump

# QYL(B)



Hangzhou Nanfang  
Special Pump Industry Co.,Ltd.

Worldwide CNP Sales & Service Network  
CNP Headquarter  
Address: Renhe Town, Yuhang District, Hangzhou, Zhejiang  
Tel: +86 571 86397810 86397838  
Fax: +86 571 86397809  
PostCode: 311107  
E-mail: [info@nanfang-pump.com](mailto:info@nanfang-pump.com)  
Website: <http://www.nanfang-pump.com>



E081202

The technical data are subject to amend without notice.

# Company Profile



Hangzhou Nanfang Special Pump Industry Co.,Ltd. is specialized in manufacture of stainless steel multistage pumps, integrating scientific research, production and marketing. Since its establishment ten years ago, the company has devoted considerable efforts to innovation and management. The company has successfully developed various kinds of pumps which are applicable to industrial and mining enterprises, municipal water supply, farm irrigation, petrochemical engineering, domestic water and fire water supply of high buildings, industrial water treatment, water purification, pharmaceutical industry, boiler, air-conditioning system etc. The main performances of CDL series stainless steel multistage vertical pump, TD in-line circulation pump, SJ series stainless steel multistage deep-well submersible pump, CDLK, CDLKF immersion type multi-stage centrifugal pump, CHL/CHLK/CHLF series stainless steel multistage horizontal pumps and QY series stainless steel pump conveying mixed gas and liquid, ZS series stainless steel horizontal single-stage centrifugal pump, MS series light stainless steel horizontal single-stage centrifugal pump, have fully reached international advanced level.

Besides designing pumps with advanced tools such as three-dimensional CAD and CFD software, the company boasts a complete set of precision manufacturing and inspection equipment. With perfect quality control system, the company has passed ISO9001 Quality System Certification, ISO14001 Environment Management System Certificate, and obtained CE Mark also. The company sell products well not only at home, but also in foreign countries, Europe, America, Southeastern Asia etc, gaining popularity due to their excellent quality, good credit standing and considerate after-sales service.

The company has established a wide sales and service network which has representative offices and service centers. Offices and service centers are set in all large and medium-scale cities, aiming to providing timely and satisfactory service for customers.

Satisfying customers will be eternal pursuit of the company. Looking forward to the future, the company will further keep up its fine tradition and persist in its business principle of "quality first, credit first and clients first" to offer customers products of high quality and more considerate services.

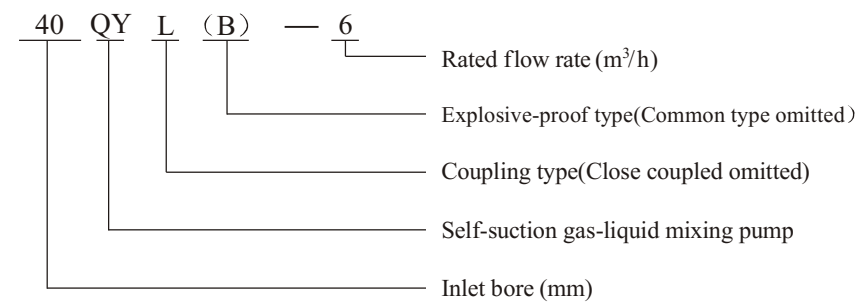
**Nanfang pump, an international brand worthy of your trust!**

# Content

## General Data

Definition of Model	3
Working conditions	3
Application	3
Features	3
Performance curve	4
Performance table	4
QY(B) Installation dimensions	5
QYL(B) Installation dimensions	6

## ● Definition of Model



## ● Working conditions

- QY and QYL designed for clear and low viscosity liquid, or liquid containing extra-fine foreign matters.
- QYB and QYLB designed for clear and low viscosity liquid, or explosive flammable liquid which containing very little solids.
- Liquid Temperature: -15°C ~ 120°C
- Maximum ambient temperature: +40°C
- Gas-liquid ratio 1:9 (gas suction volume 8 ~ 10%)
- Inlet: horizontal, Outlet: Vertical

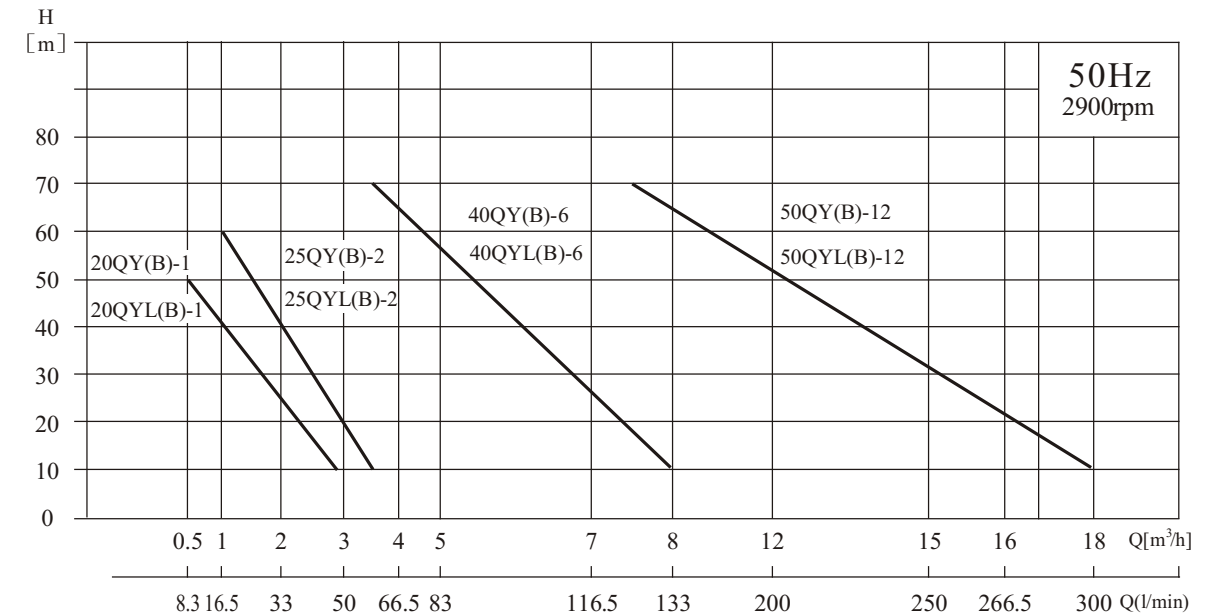
## ● Application

- Air suspension treating equipment, ozone water preparing equipment, and biological treating equipment.
- Feeding of heating or cooling medium for various temperature adjusting devices.
- Various filters: sucking or high pressure transferring low viscosity liquid from underground tank, such as gasoline and various solvent.
- Misting treatment of clear water, pure water, foods, chemical solution and waste solution.
- Strict applications (continuous running, abrupt variation in hydraulic pressure): such as small scale steam boiler, high building water supply, high pressure water injection to high pressure tank, and suction from vacuum tank.
- Sampling from river or tank, feeding foam able liquid, liquid feed through long and horizontal pipeline, where air pockets likely occur.

## ● Features

- It can suck water while sucking gas and pressurize and mix them inside it. Ultra fine air bubble 20 ~ 30 μ. It renders a good gas liquid solving effect.
- It has stable performances, high efficiency and low noise level, and its gas liquid solving efficiency is as high as twice that of the traditional mode.
- When it is used in air suspension unit air compressors, various mixers, high pressure air solving tanks and releasers may be saved and thus the weakness of instable air supply and boiling of large air bubble which likely occur in traditional working model will be eliminated.
- When it is used in ozone water preparing equipment, many mixers and large oxidation towers may be saved and thus the cost for equipment will be greatly reduced. In addition, its gas liquid solving ratio may exceed 95%.
- It is simple in structure and operation, easy in maintenance and durable and needs less components. It has a good self suction capacity and a wide application range.

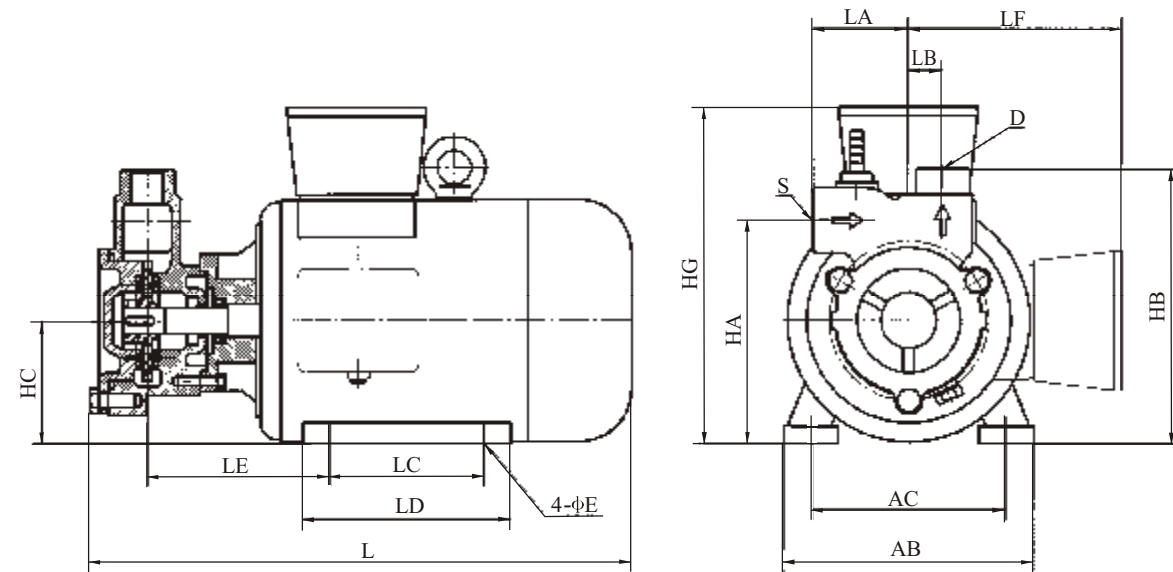
## ● Performance curve



## ● Performance table

Model	Driving motor			H (m)	10	20	30	40	50	60	70																					
	(kW)	(hp)	PH																													
20QY-1	0.55	0.75	1PH 3PH	Q (m <sup>3</sup> /h)	2.8	2.2	1.6	1	0.4																							
20QYB-1			3PH																													
25QY-2	1.1	1.5	1PH 3PH									3.5	2.8	2.5	2	1.6	1															
25QYB-2			3PH																													
40QY-6	3	4	3PH																8	7.5	6.5	6	5.5	4.5	3.5							
40QYB-6			3PH																													
50QY-12	5.5	7.5	3PH																							18	16	15	14	12	10	7.5
50QYB-12			3PH																													
20QYL-1	0.55	0.75	1PH 3PH	Q (m <sup>3</sup> /h)	2.8	2.2	1.6	1	0.4																							
20QYLB-1			3PH																													
25QYL-2	1.1	1.5	1PH 3PH									3.5	2.8	2.5	2	1.6	1															
25QYLB-2			3PH																													
40QYL-6	4	5.5	3PH																8	7.5	6.5	6	5.5	4.5	3.5							
40QYLB-6			3PH																													
50QYL-12	7.5	10	3PH																							18	16	15	14	12	10	7.5
50QYLB-12			3PH																													

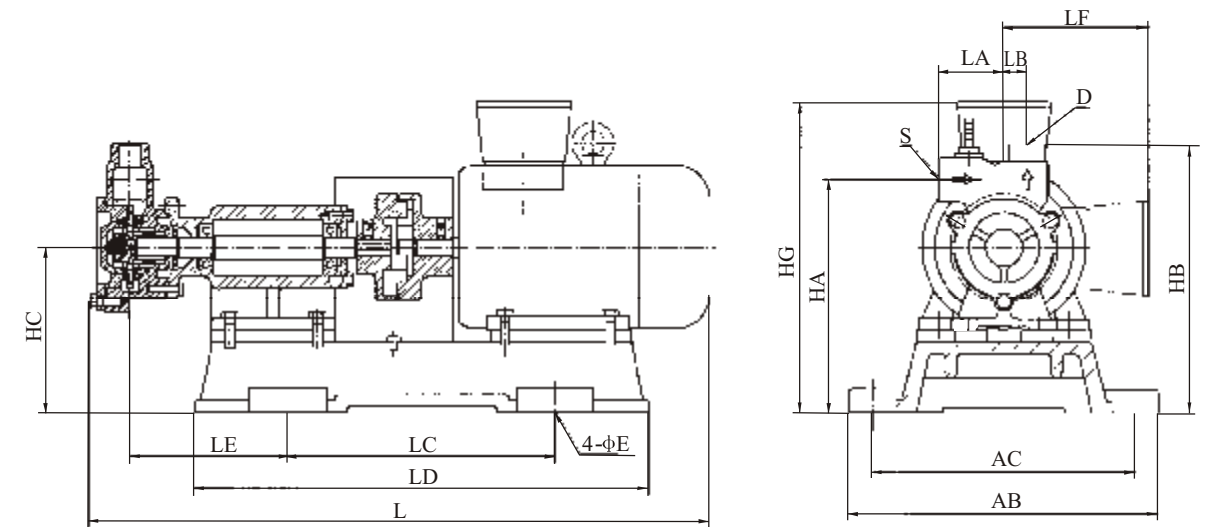
## ● QY(B) Installation sketch



## ● QY(B) Installation dimensions

Model	HA	HB	HC	HG	AB	AC	L	LA	LB	LC	LD	LE	LF	S	D	E
20QY-1	128	158	71	195	150	110	320	55	20	90	120	100		$G\frac{3}{4}$	$G\frac{1}{2}$	7
20QYB-1	128	158	71	260	150	110	320	55	20	90	120	100		$G\frac{3}{4}$	$G\frac{1}{2}$	7
25QY-2	150	185	80	214	165	125	327	60	28	100	130	105	145	G1	$G\frac{3}{4}$	10
25QYB-2	150	185	80	340	165	125	327	60	28	100	130	105		G1	$G\frac{3}{4}$	10
40QY-6	185	230	100	270	200	160	444	70	40	140	180	135	180	$G1\frac{1}{2}$	$G1\frac{1}{4}$	12
40QYB-6	197	242	112	400	225	190	451	70	40	140	180	142		$G1\frac{1}{2}$	$G1\frac{1}{4}$	12
50QY-12	232	290	132	345	280	216	570	77	47	140	200	190	210	G2	$G1\frac{1}{2}$	12
50QYB-12	232	290	132	470	280	216	570	77	47	140	200	190		G2	$G1\frac{1}{2}$	12

## ● QYL(B) Installation sketch



## ● QYL(B) Installation dimensions

Model	HA	HB	HC	HG	AB	AC	L	LA	LB	LC	LD	LE	LF	S	D	E
20QYL-1	198	228	141	265	265	225	532	55	20	228	388	135		$G\frac{3}{4}$	$G\frac{1}{2}$	$\phi 8.5$
20QYLB-1	198	228	141	330	265	225	532	55	20	228	388	135		$G\frac{3}{4}$	$G\frac{1}{2}$	$\phi 8.5$
25QYL-2	220	255	150	284	275	235	610	60	28	293	453	85	145	G1	$G\frac{3}{4}$	$\phi 11$
25QYLB-2	220	255	150	410	275	235	610	60	28	293	453	85		G1	$G\frac{3}{4}$	$\phi 11$
40QYL-6	255	300	170	340	345	305	721	70	40	363	523	152	180	$G1\frac{1}{2}$	$G1\frac{1}{4}$	$\phi 11$
40QYLB-6	265	312	182	470	345	305	721	70	40	363	523	152		$G1\frac{1}{2}$	$G1\frac{1}{4}$	$\phi 11$
50QYL-12	302	360	203	415	390	350	816	77	47	450	610	158	210	G2	$G1\frac{1}{2}$	$\phi 11$
50QYLB-12	302	360	203	540	390	350	816	77	47	450	610	158		G2	$G1\frac{1}{2}$	$\phi 11$

CNP India

NANFANG PUMPS INDIA PVT. LTD.

Address: 103,Kasturi Tower, 238/A, L.B.S Marg, Opp.Red Cross Bhavan,  
Thane-400 602, India.

Tel : +91-22-2542 5540

Fax: +91-22-2542 7306

E-mail: sales@nanfangpumps.com

Website: <http://www.nanfangpumps.com>

CNP Indonesia

PT SOUTHERN INDONESIA (Lindeteves Trade Centre)

Address:Blk RA No 56-57,JI Hayam Wuruk 127,Jakarta 11180,Indonesia

Tel: +62 21 62200955 / 30012832

Fax: +62 21 62201026 / 30064055

E-mail: info@southernindonesia.com

Website: <http://www.southernindonesia.com>

CNP Malaysia

IKHUA ENGINEERING SDN.BHD.

Address: Plot F, Lot 1998, Jalan Perusahaan Tiga, Taman Selesa Jaya,  
43300 Balakong, Selangor Darul Ehsan, Malaysia.

Tel: 603-8961 6858 (Hunting Line)

Fax: 603-8961 3118

E-mail: ikhuaengrg@pd.jaring.my

Website: <http://www.ikhua.com.my>